

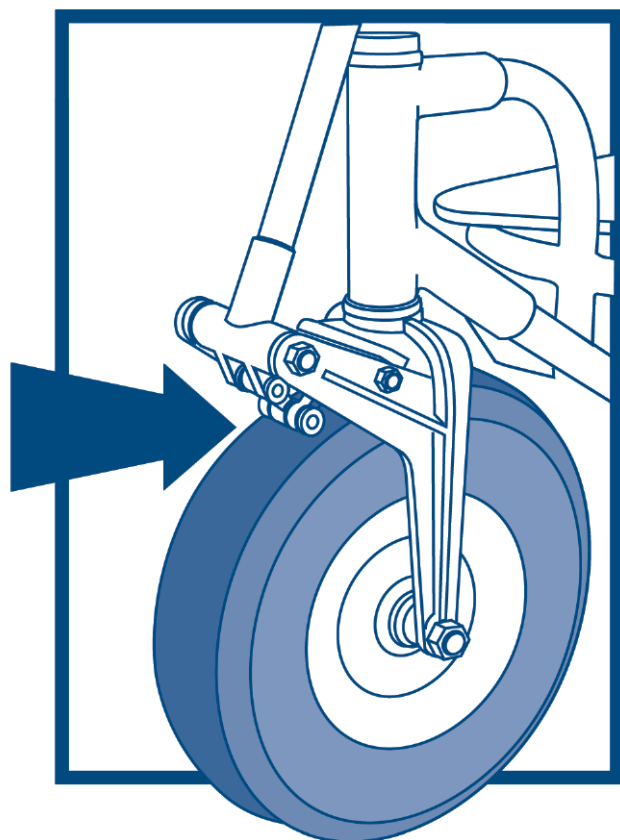
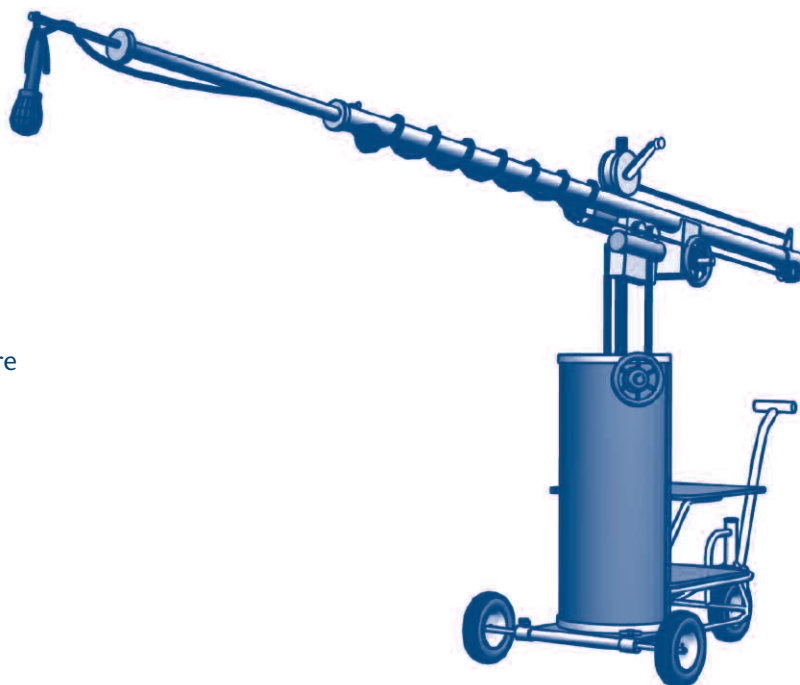
Written by the Technical Committee of the film and video industry's joint sector-based working group and produced by the Commission de la santé et de la sécurité du travail du Québec.



ASSOCIATION DES  
PRODUCTEURS DE  
FILMS ET DE  
TELEVISION DU  
QUÉBEC

## Boom trolley

1. The boom man is responsible for installing his equipment and for the location of the boom trolley during periods of inactivity. He must always take into account, in his actions, the safety of the workers present, by minimizing the risks of falls or collisions caused by the boom trolley, the boom or the wires attached to it.
2. The boom man must wear footwear with good adherence.
3. Before using the trolley, the boom man must ensure that:
  - the tires are properly inflated;
  - contact between the brake and the rear tire is good (fig. 1);



Drawings: Michel Rouleau

Figure 1

- the travel stops for the front wheels are in place before extending the wheelbase (fig. 2);

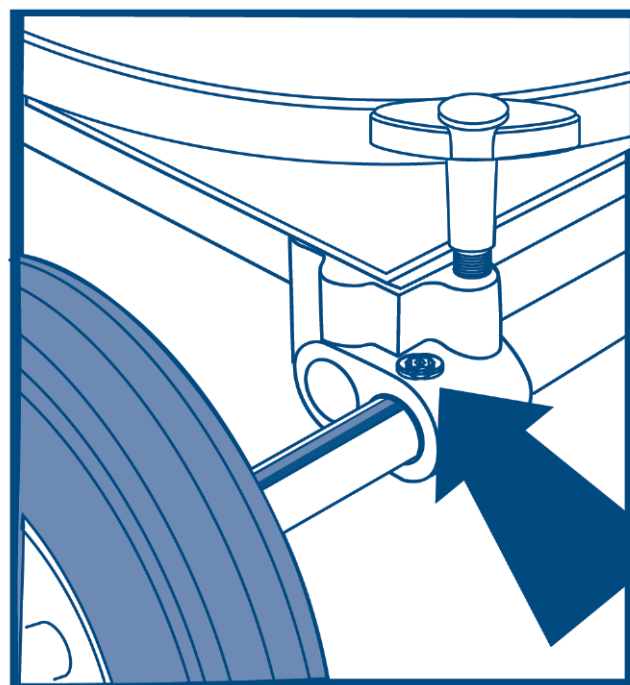


Figure 2

- the platform is clean and not slippery;
  - the boom is well balanced after installation of the microphone and its suspension;
  - the end of the boom on the counterweight side is clearly visible at eye height by people moving behind it.
4. The wheelbase for the trolley's front wheels must always be extended at least to mid-course in order to minimize the risks of tipover (fig. 3).

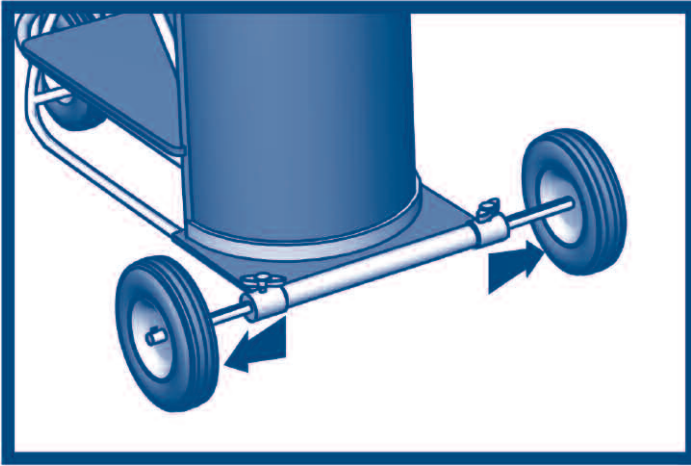


Figure 3

5. Before any movement of the boom, the boom man must ensure that no one is within the perimeter of movement on the counterweight side.
6. A safe distance must be maintained between the suspended equipment and the boom at all times.
7. If the trolley needs to be moved:
- the people close to the trolley must be informed about it;
  - there must be at least one repetition before recording takes place;
  - the boom man and the grip who will move the trolley shall have agreed on clear departure and arrival signals;
  - the boom man will be the only person responsible for the departure and arrival signals;
  - departures and arrivals will be done gently so that the boom man does not lose his balance;
  - the boom man shall pay attention to the lighting equipment that could be found in his path during movement.

8. The wires connecting the boom to the technical connection points must always be wound so as to minimize the risks.
9. When the boom and the trolley are not in use, all the restraint mechanisms must be in place (fig. 4).

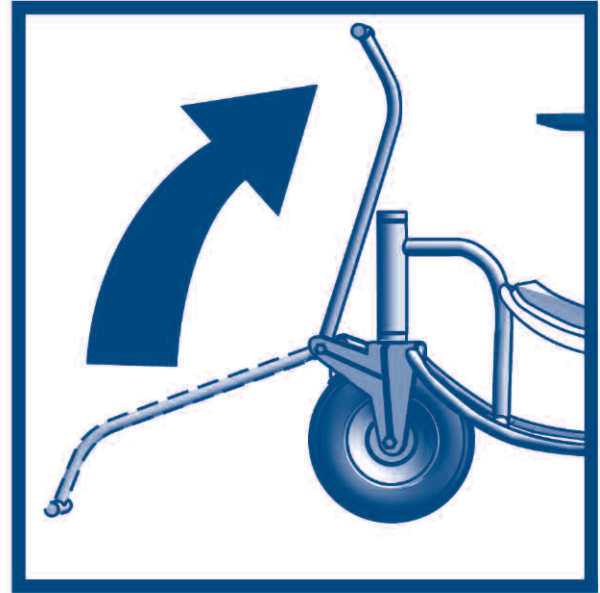


Figure 4

**Note.** – The information contained in this guideline is not exhaustive and does not replace current standards, laws and regulations.